






**DOWNLOAD COLOUR  
INSTALL MANUALS AT  
[www.bddiesel.com](http://www.bddiesel.com)**






# **Ford 6.0L / 6.4L / 6.7L/7.3L Powerstroke Flexplate**

<b>1041240</b>	Ford 6.4L Powerstroke
<b>1041242</b>	Ford 6.0L Powerstroke
<b>1041245</b>	Ford 6.7L Powerstroke
<b>1041241</b>	Ford 7.3L Powerstroke


**1041240 Kit Contents**

1401240	1401243	FT-0606434
		
<p>Ford 6.4L Flexplate Qty: 1</p>	<p>Ford Flexplate Washer Qty: 1</p>	<p>Blue Threadlocker Qty: 1</p>

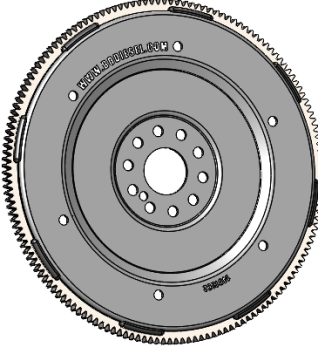
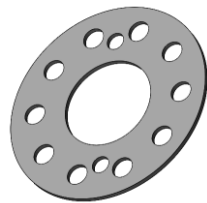

**1041242 Kit Contents**

1401242	1401243	FT-0606434
		
<p>Ford 6.0L Flexplate Qty: 1</p>	<p>Ford Flexplate Washer Qty: 1</p>	<p>Blue Threadlocker Qty: 1</p>

**1041245 Kit Contents**

1401245	1401244	FT-0606434
		
<p>Ford 6.7L Flexplate Qty: 1</p>	<p>Ford Flexplate Washer Qty: 1</p>	<p>Blue Threadlocker Qty: 1</p>

## 1041241 Kit Contents

1401262	1401264	FT-0606434
		
Ford 7.3L Flexplate Qty: 1	Ford Flexplate Washer Qty: 1	Blue Threadlocker Qty: 1

## Introduction

BD Diesel Performance Ford Flexplates were designed to withstand the high torque produced from modified Powerstroke engines. Fully billet machined and black oxide coated for good looks and performance.

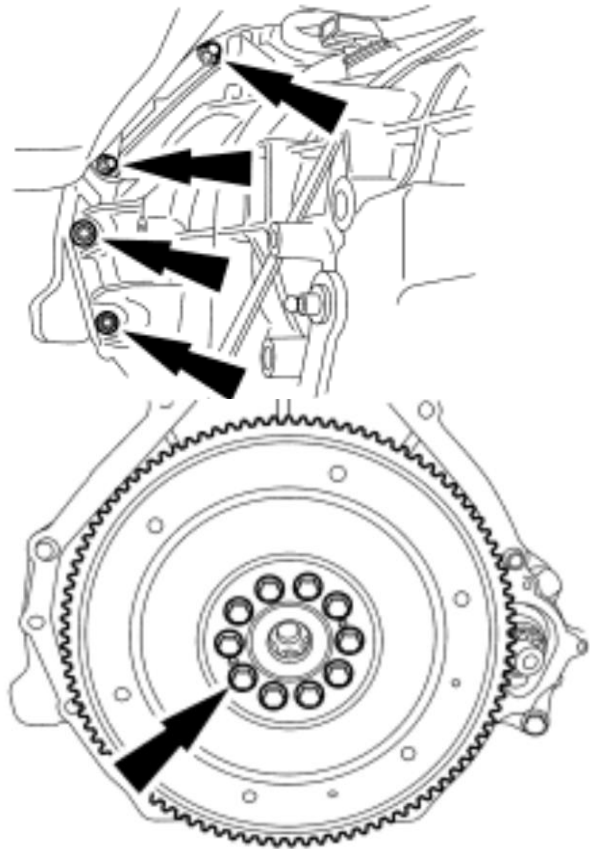
- Over two times stronger than OEM
- Counterweight machined into flexplate, **NO** weld on weights.
- Black oxide coating does not cause hydrogen embrittlement like zinc plating
- Heat treated ring gear to withstand torque required to start modern diesel engines

## Installation



Disconnect both batteries, and secure vehicle before installation for safety.

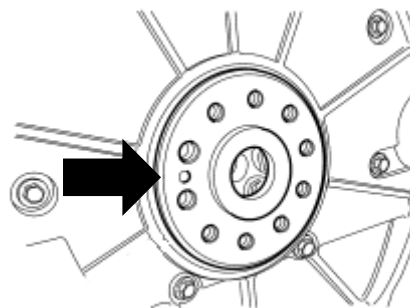
Remove transmission, and factory flexplate from the truck.

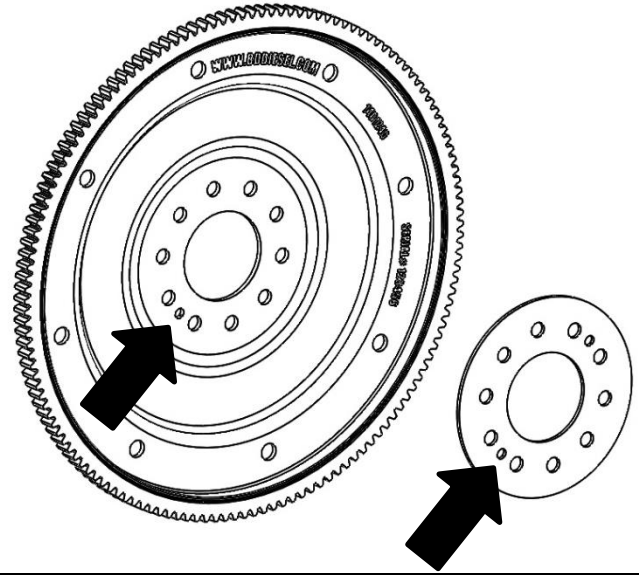


Install BD Diesel flexplate onto the crankshaft, followed by the washer.



**NOTE:** Ensure crankshaft dowel is fitting into the locating hole on the flexplate, and washer (see arrows)





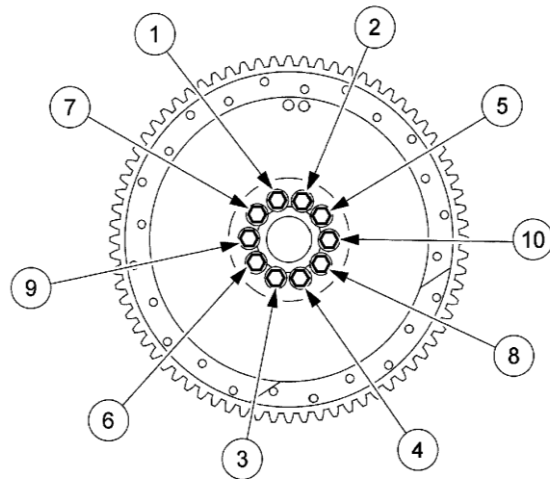
Re-install crankshaft bolts. Tighten in a two stage sequence following the order outlined in the below steps and images.

### **6.0L Powerstroke engines:**

Kit Part No: **1041242**

Torque to the below spec following the sequence in the image to the right.

1. Torque to **4 ft-lbs**
2. Torque to **69 ft-lbs**



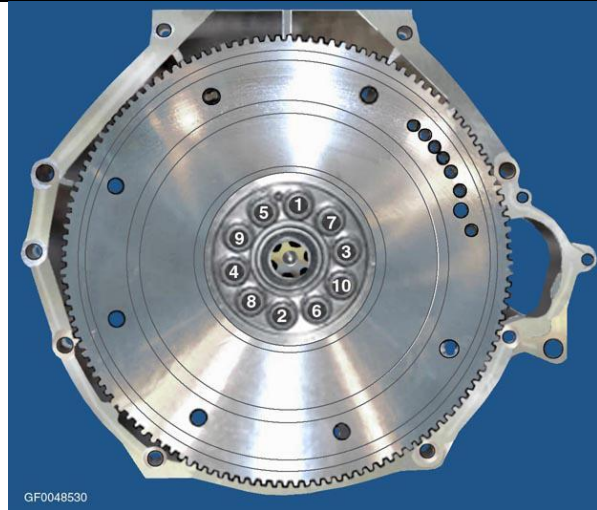


**6.4L Powerstroke engines:**

Kit Part No: **1041240**

Torque to the below spec following the sequence in the image to the right.

1. Torque to **4 ft-lbs**
2. Torque to **69 ft-lbs**

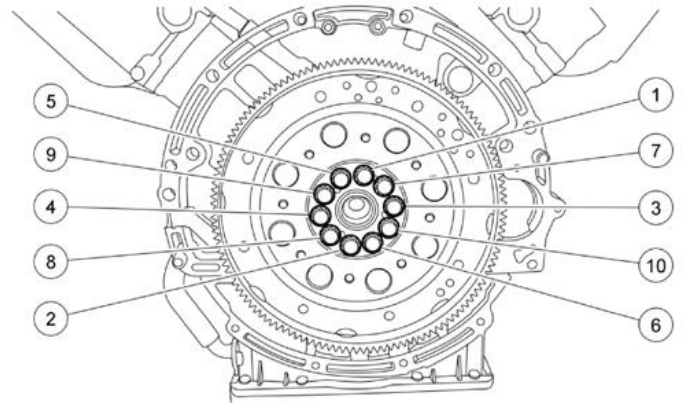


**6.7L Powerstroke engines:**

Kit Part No: **1041245**

Torque to the below spec following the sequence in the image to the right.

1. Torque to 4 ft-lbs
2. Final torque to 74 ft-lbs

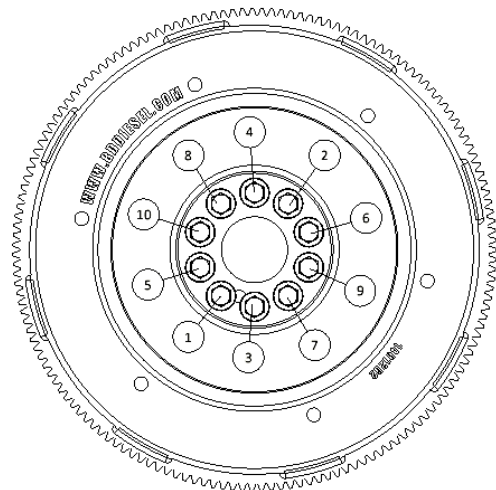


**7.3L Powerstroke engines:**

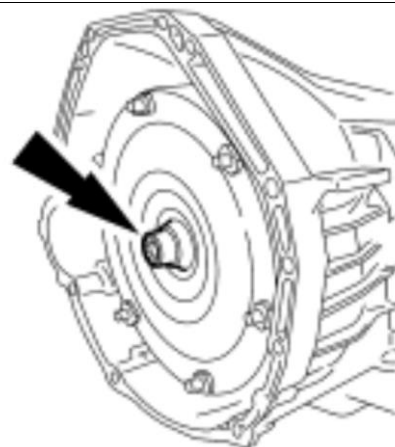
Kit Part No: **1041241**

Torque to the below spec following the sequence in the image to the right.

1. Torque to 4 ft-lbs
2. Final torque to 89 ft-lbs



flubricate the torque converter hub with multi-purpose grease, and re-install the transmission.





Install and torque flexplate nuts  
to the below specification:

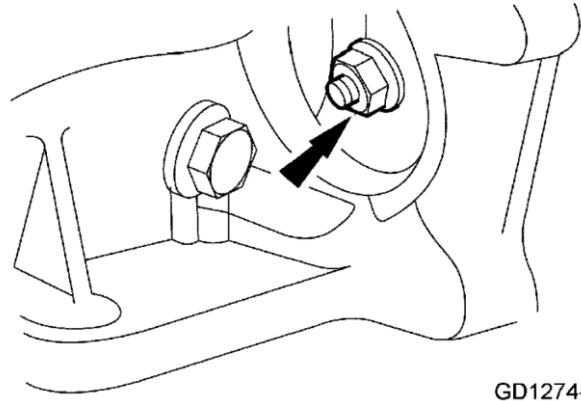
Torque Converter Nuts:

Ford 6L= 26 **ft-lbs**

Ford 6.4L= **35 ft-lbs**

Ford 6.7L= **35 ft-lbs**

Ford 7.3L= 26 **ft-lbs**



GD1274-A

**NOTE:** Do not over-torque these  
fasteners!